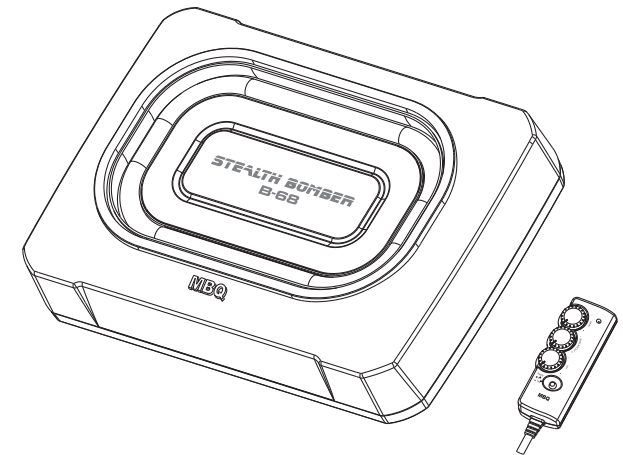


Technical Specifications	
• Maximum Output Power	300W
• Rated Output Power	130W
• Output Impedance	4Ω
• Frequency Response	40~150Hz
• S/N(A)	91dB
• Phase Switch	0°/ 180°
• Maximum Current Consumption	10A
• Input Sensitivity(Distortion level 1%)	RCA input 0.6mV~4V Speaker input 2V~10V
• Source Voltage	14.4V(10V~16V)
• Size	280x200x75mm
• Weight(including accessories)	3.54Kg

Compact size amplified subwoofer

B-68

Instruction Manual



■ Wiring

- ※ This product provides two types of signal input methods. Please choose only one method to connect the speaker. Never use both methods at the same time. Improper operation may lead to damages or accidents.
- ※ When choosing speaker signal as your input method, remote start wire (Blue/White Cable) cannot be connected. If the cable is connected, it will lead to the automatic switch off function failure.
- ※ If the input signal is too strong, the subwoofer may have crackling & popping sounds, if it continues to happen, the subwoofer might be damaged.
- ※ Make sure mounting screws will not puncture wiring harness, brake or fuel lines, or the vehicle's fuel tank. Some or all of these may be located behind or under the mounting surface.

■ Additional information:

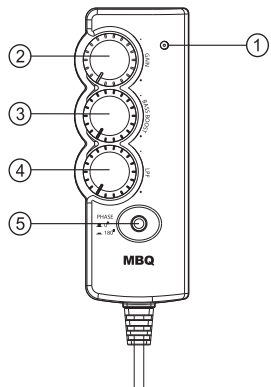
Remote turn on wire: connect to remote wire of the head unit. If there is no remote wire from the head unit, connect to the vehicle's ACC wire.

Ground wire: connect to a bare metal part of vehicle body.

Power cable: connect to the positive polarity of car battery.

As for the content change, we are sorry for no further notice.

■ Remote Control



- ① POWER INDICATOR
- ② GAIN ADJUSTMENT
- ③ BASS BOOST
- ④ LPF
- ⑤ PHASE SELECTOR

1. Before turning on the device, set GAIN to minimum value, phase set as NORM, low pass at middle.
2. Bass/treble of head unit set to zero, setting volume to standard level is easy for use.
3. By increasing value of GAIN factor, volume will be increase as well and balance the system. Value of gain or volume too high may cause distortion, so when doing adjustment of the system must ensure the speaker work regularly and do not under distortion condition. If there is distortion condition appear please lower down the volume of head unit.
4. After setting GAIN value is done, adjust the low pass frequency to match with speaker system, low pass set as middle is recommended.
5. Volume will be influenced by adjustment of low pass frequency, so must keep adjust until get the ideal sound.
6. Last is to set up the phase. The phase adjustment is different depend on different car and where the sub woofer located. Sound output can be switch between NORM and REV.

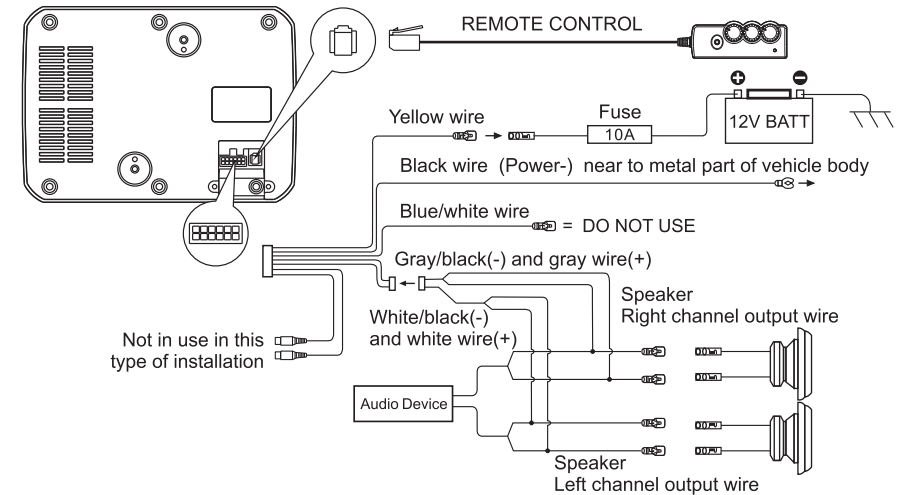
■ Wiring Diagram



WARNING

If you are using only the Low level (RCA) inputs, you must connect the remote wire from the subwoofer to the system's head unit so subwoofer will turn on and off with the system. If you will be using the speaker-level outputs from your head unit, you do not need to connect the remote output. The subwoofer's speaker-level inputs will sense voltage on the speaker wires and the subwoofer will turn itself on. Use only one of the audio inputs, otherwise, it may lead to audio interference.

● Wiring Diagram1 (High level input)



● Wiring Diagram2 (Low level 'RCA' input)

